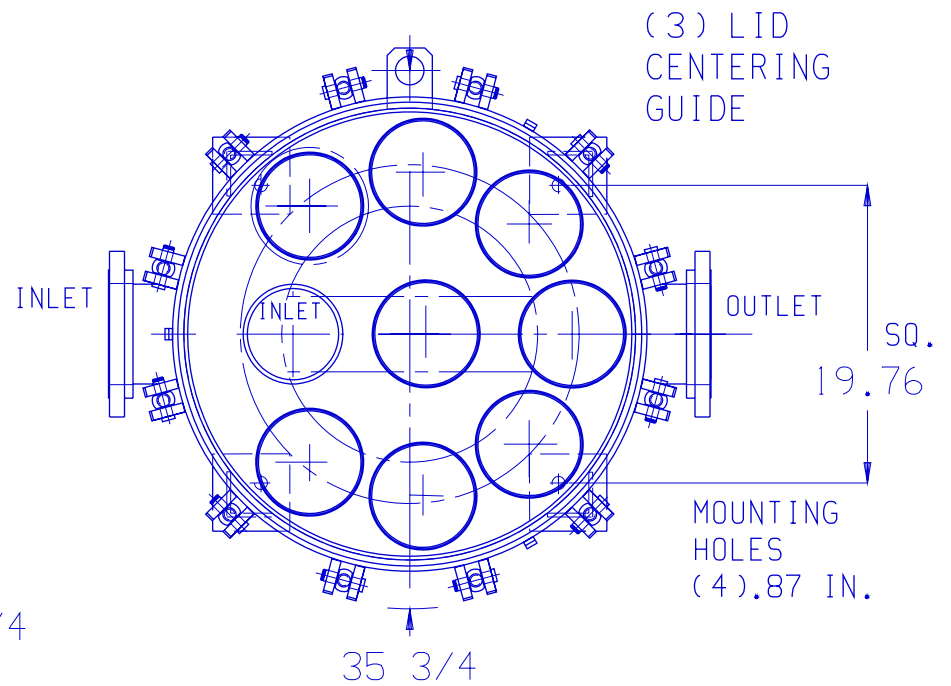
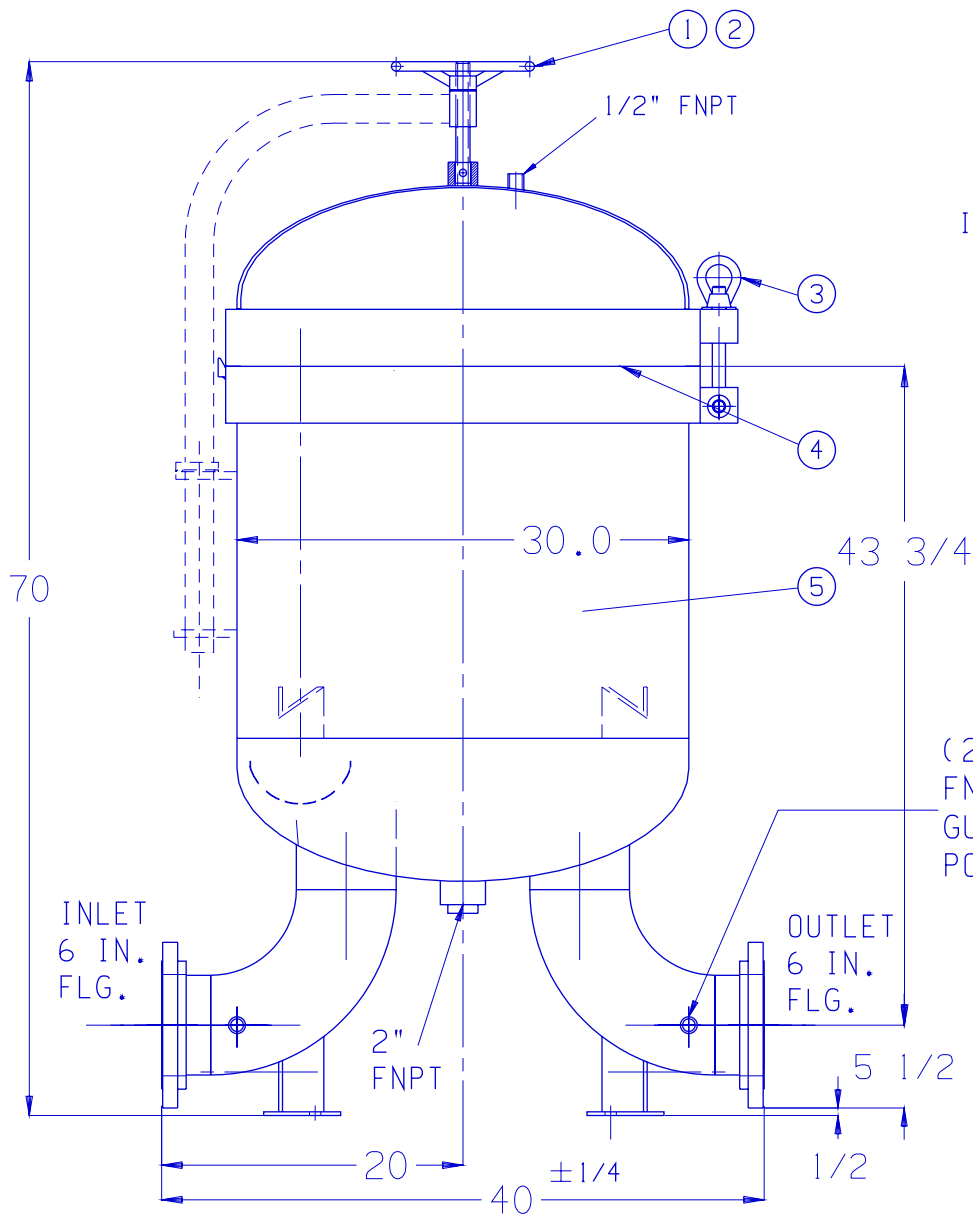


DAVIT ARM SHOWN 90 DEG.  
OUT OF TRUE POSITION



SHIPPING WGT.(LB.) & BOX SIZE (IN.)

(2) 1/2" FNPT  
GAUGE  
PORT

ITEM	QTY.	DESCRIPTION	PART NO.
1	1	HAND WHEEL	G-HHW-9
2	1	THRUST BEARING	G-HBT-1
3	12	EYE BOLT ASSEMBLY	G-EBA-C-7-7.9
4	1	SEAL O-RING BUNA-N STD.	G-O-RING
5	8	BASKET- 316 SS	G-BFB2-6-9

NAME	DATE	GLOBAL FILTER LLC	
DRAWN GA	8/25/10	CEDAR RAPIDS, IA 52403	
REV.		STD. FILTER ASS'Y MODEL GMBV-0830 (8) BAG-SIZE #2 6 IN.FLG.	
MAT.	SEE DATA SHEET	SIZE	DWG. #
FINISH	SEE DATA SHEET		GMBV8306F-0S
COMMENTS: SEE VESSEL DATA SHEET FOR OPTIONS		REV.	
		SHEET 1 OF 1	